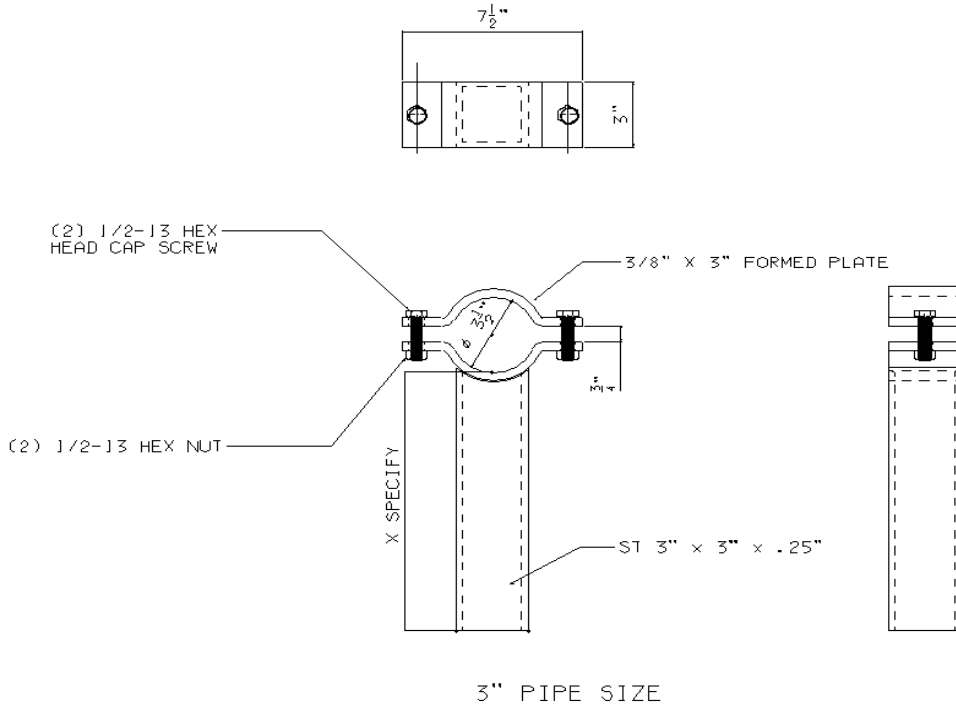


FABERFAB 3" HEAVY DUTY FIXED BASE CLAMP TYPE PIPE SUPPORT



SPECIFY QUANTITY: \_\_\_\_\_ SPECIFY X DIMENSION: \_\_\_\_\_ INCHES

MATERIAL

- 1 - A36 C.S.
- 2 - OTHER SPECIFY

FINISH

- 1 - NO PAINT
- 2 - PRIME AND PAINT SPECIFY COLOR
- 3 - OTHER SPECIFY

BASE OPTIONS

- 1 - NONE
- 2 - 3/8" THICK BASE PLATE WITH MOUNTING HOLES
- 2 - 1/2" THICK BASE PLATE WITH MOUNTING HOLES

BASE DETAILS IF BASE OPTION SELECTED

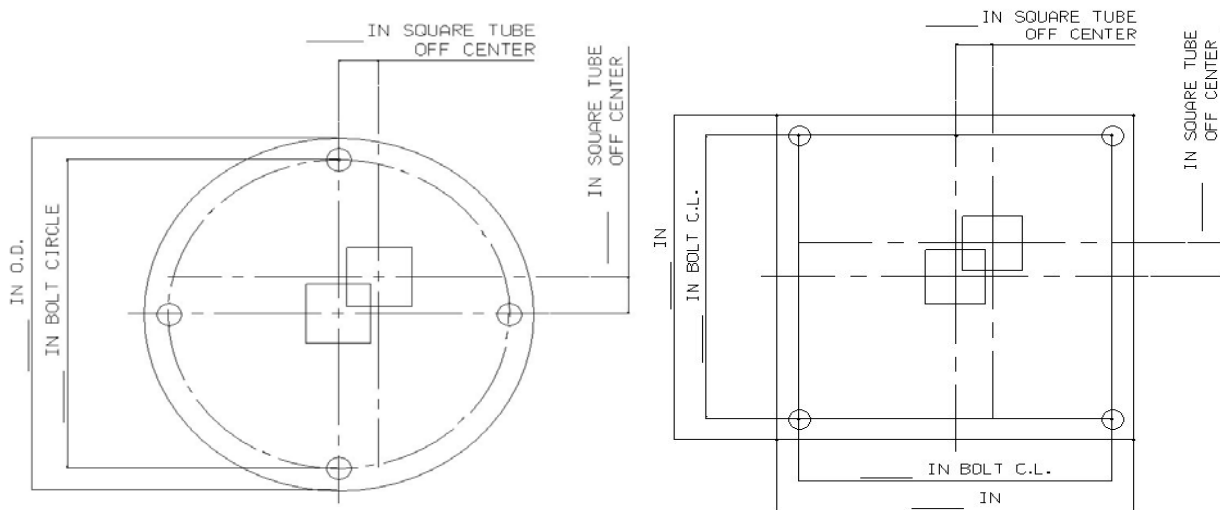
\_\_\_\_\_ QUANTITY OF HOLES IN BASE PLATE

\_\_\_\_\_ DIAMETER OF HOLES IN BASE PLATE

COMPLETE BASE PLATE SKETCH BELOW:

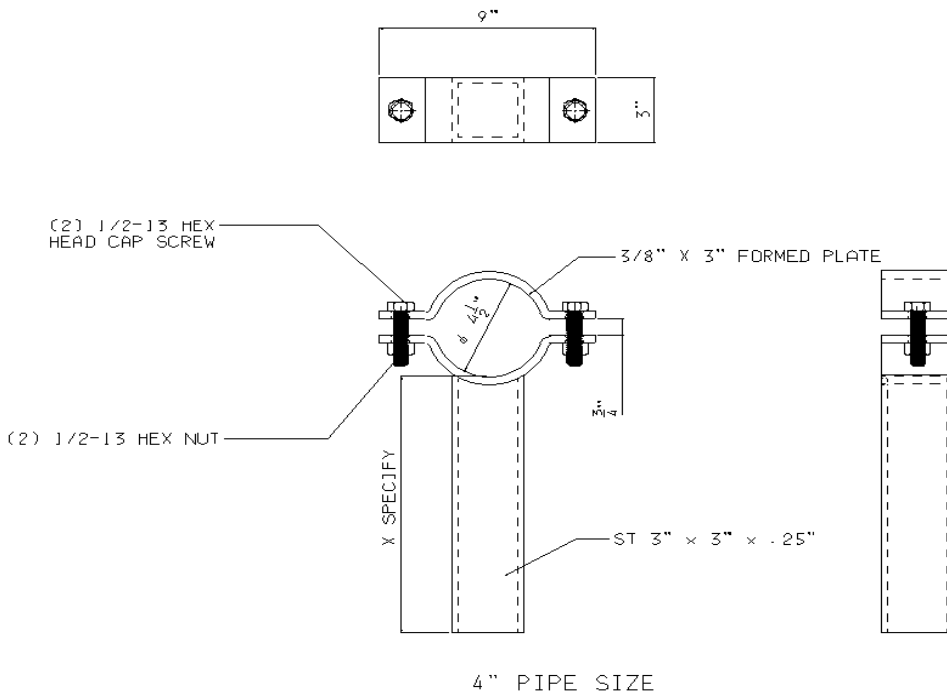
ROUND BASE

RECTANGLE BASE



FABERFAB 4" HEAVY DUTY FIXED BASE CLAMP TYPE PIPE SUPPORT

2/11/2016



SPECIFY QUANTITY: \_\_\_\_\_ SPECIFY X DIMENSION: \_\_\_\_\_ INCHES

**MATERIAL**

- 1 - A36 C.S.
- 2 - OTHER SPECIFY

**FINISH**

- 1 - NO PAINT
- 2 - PRIME AND PAINT SPECIFY COLOR
- 3 - OTHER SPECIFY

**BASE OPTIONS**

- 1 - NONE
- 2 - 3/8" THICK BASE PLATE WITH MOUNTING HOLES
- 2 - 1/2" THICK BASE PLATE WITH MOUNTING HOLES

**BASE DETAILS IF BASE OPTION SELECTED**

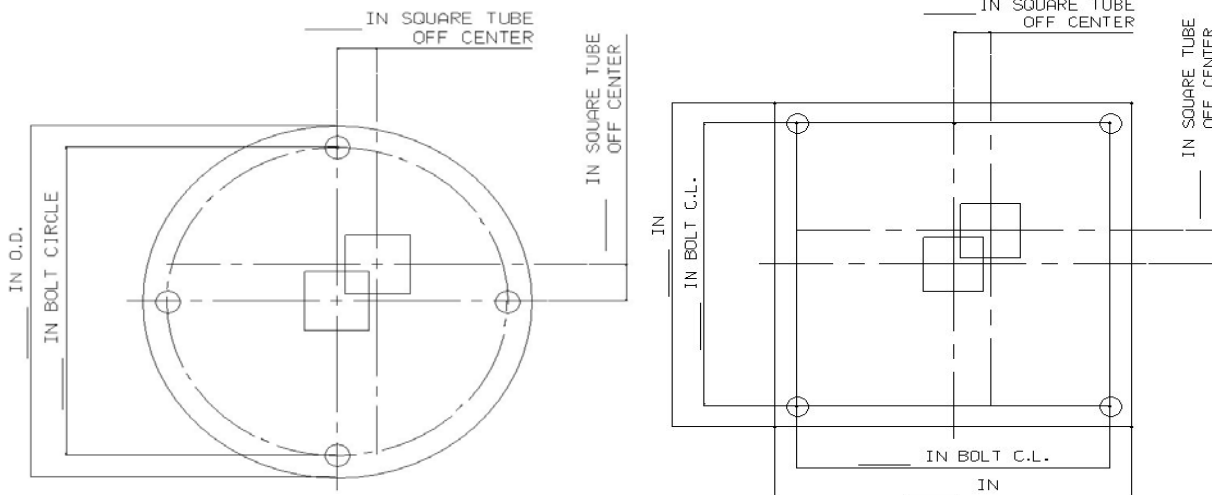
\_\_\_\_\_ QUANTITY OF HOLES IN BASE PLATE

\_\_\_\_\_ DIAMETER OF HOLES IN BASE PLATE

COMPLETE BASE PLATE SKETCH BELOW:

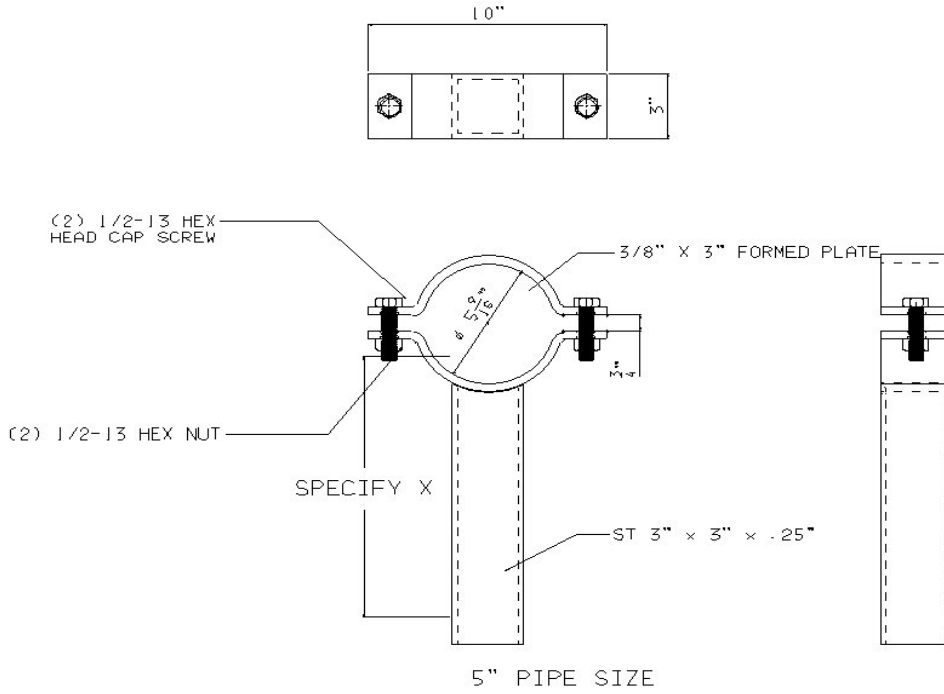
ROUND BASE

RECTANGLE BASE



FABERFAB 5" HEAVY DUTY FIXED BASE CLAMP TYPE PIPE SUPPORT

2/11/2016



SPECIFY QUANTITY: \_\_\_\_\_ SPECIFY X DIMENSION: \_\_\_\_\_ INCHES

**MATERIAL**

- 1 - A36 C.S.
- 2 - OTHER SPECIFY

**FINISH**

- 1 - NO PAINT
- 2 - PRIME AND PAINT SPECIFY COLOR
- 3 - OTHER SPECIFY

**BASE OPTIONS**

- 1 - NONE
- 2 - 3/8" THICK BASE PLATE WITH MOUNTING HOLES
- 2 - 1/2" THICK BASE PLATE WITH MOUNTING HOLES

**BASE DETAILS IF BASE OPTION SELECTED**

\_\_\_\_\_ QUANTITY OF HOLES IN BASE PLATE

\_\_\_\_\_ DIAMETER OF HOLES IN BASE PLATE

COMPLETE BASE PLATE SKETCH BELOW:

ROUND BASE

RECTANGLE BASE

