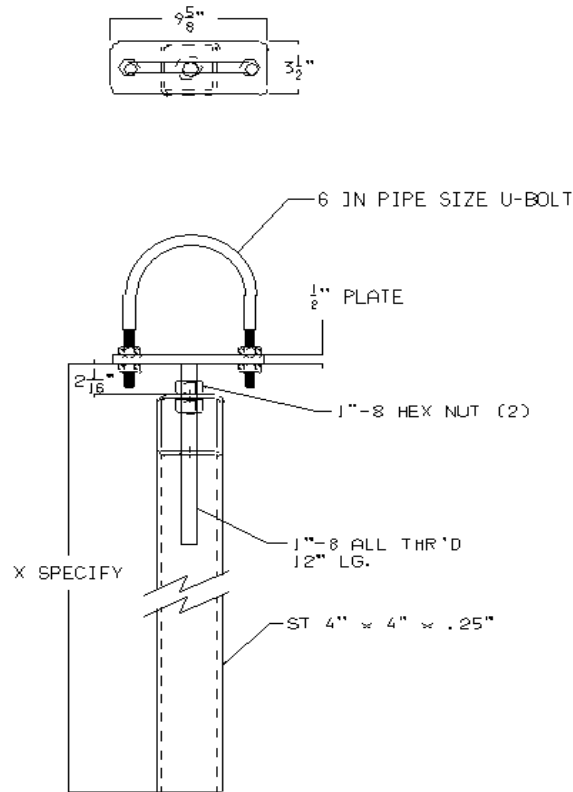


FABERFAB 6" HEAVY DUTY ADJUSTABLE HEIGHT FLAT BASE U-BOLT TYPE PIPE SUPPORT



SPECIFY QUANTITY: _____

SPECIFY X DIMENSION: _____ INCHES

MATERIAL
 A36 C.S.
 OTHER SPECIFY _____

FINISH
 1 - NO PAINT
 2 - PRIME AND PAINT SPECIFY COLOR _____
 3 - OTHER SPECIFY _____

U-BOLT MATERIAL OPTIONS
 1 - ZINC PLATED CARBON STEEL
 2 - STAINLESS STEEL
 3 - RUBBER COATED GALVANIZED
 4 - OTHER SPECIFY _____

BASE OPTIONS
 1 - NONE
 2 - 3/8" THICK BASE PLATE WITH MOUNTING HOLES
 2 - 1/2" THICK BASE PLATE WITH MOUNTING HOLES

BASE DETAILS IF BASE OPTION SELECTED

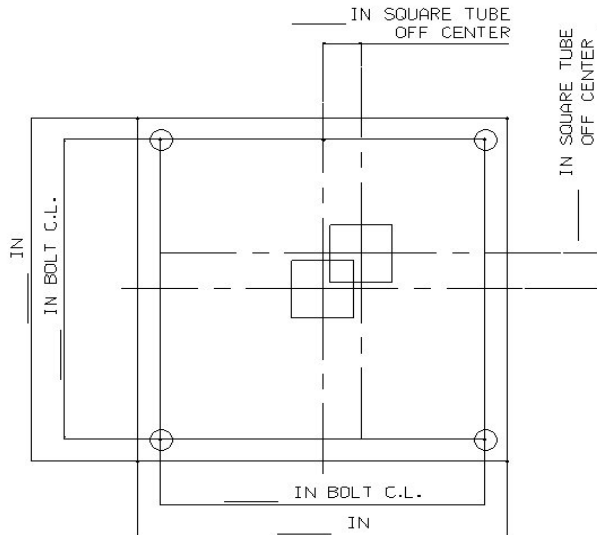
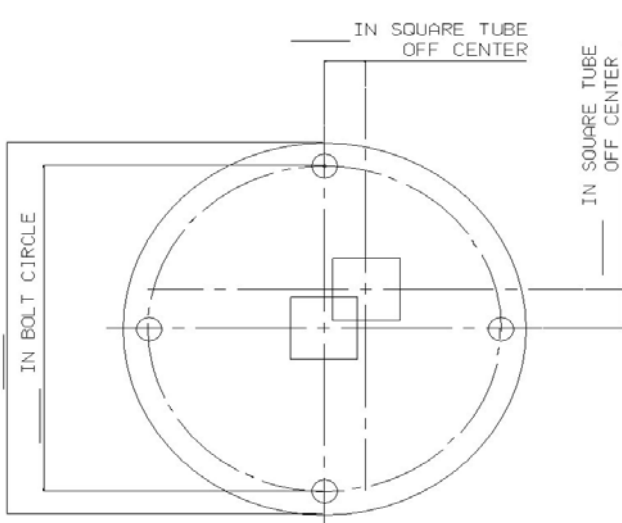
_____ QUANTITY OF HOLES IN BASE PLATE

_____ DIAMETER OF HOLES IN BASE PLATE

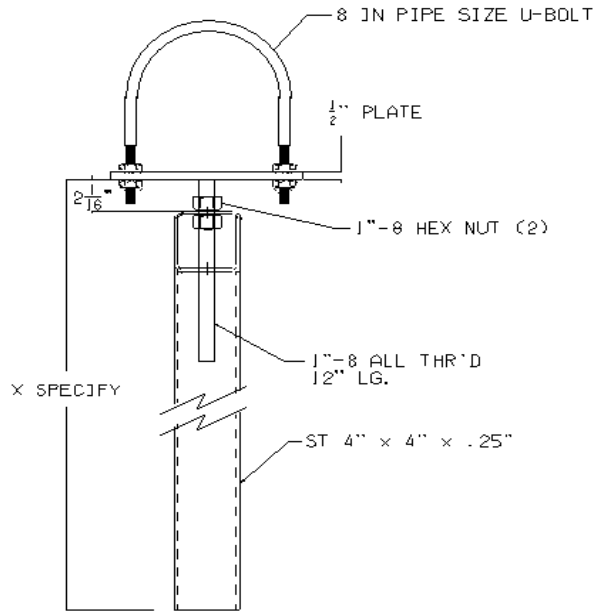
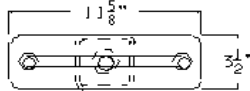
COMPLETE BASE PLATE SKETCH BELOW:

ROUND BASE

RECTANGLE BASE



FABERFAB 8" HEAVY DUTY ADJUSTABLE HEIGHT FLAT BASE U-BOLT TYPE PIPE SUPPORT



SPECIFY QUANTITY: _____

SPECIFY X DIMENSION: _____ INCHES

MATERIAL
A36 C.S.
OTHER SPECIFY _____

FINISH
1 - NO PAINT
2 - PRIME AND PAINT SPECIFY COLOR _____
3 - OTHER SPECIFY _____

U-BOLT MATERIAL OPTIONS
1 - ZINC PLATED CARBON STEEL
2 - STAINLESS STEEL
3 - RUBBER COATED GALVANIZED
4 - OTHER SPECIFY _____

BASE OPTIONS
1 - NONE
2 - 3/8" THICK BASE PLATE WITH MOUNTING HOLES
3 - 1/2" THICK BASE PLATE WITH MOUNTING HOLES

BASE DETAILS IF BASE OPTION SELECTED

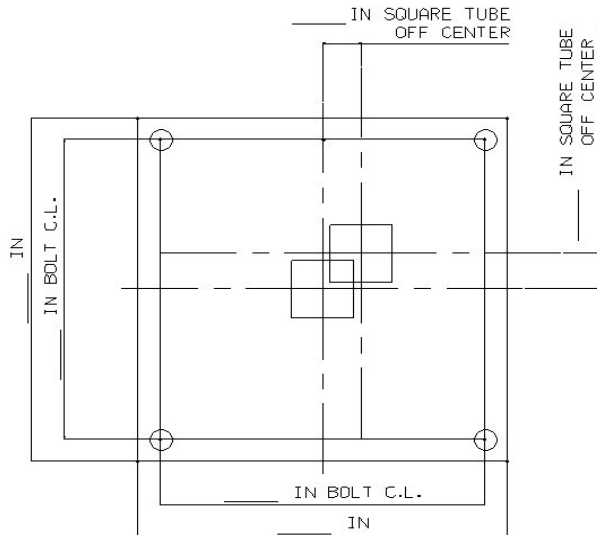
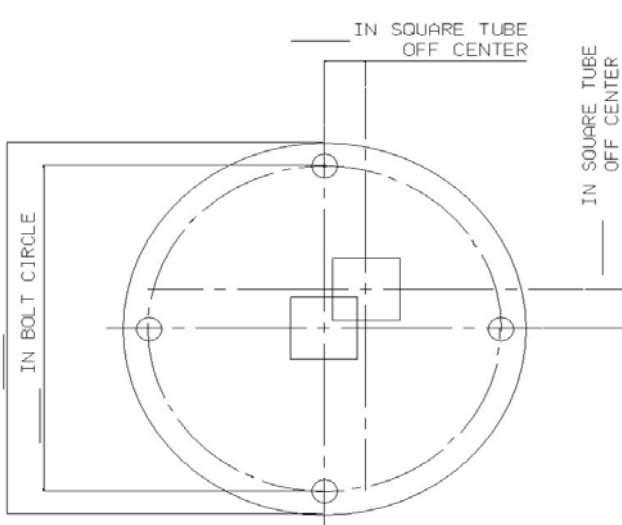
_____ QUANTITY OF HOLES IN BASE PLATE

_____ DIAMETER OF HOLES IN BASE PLATE

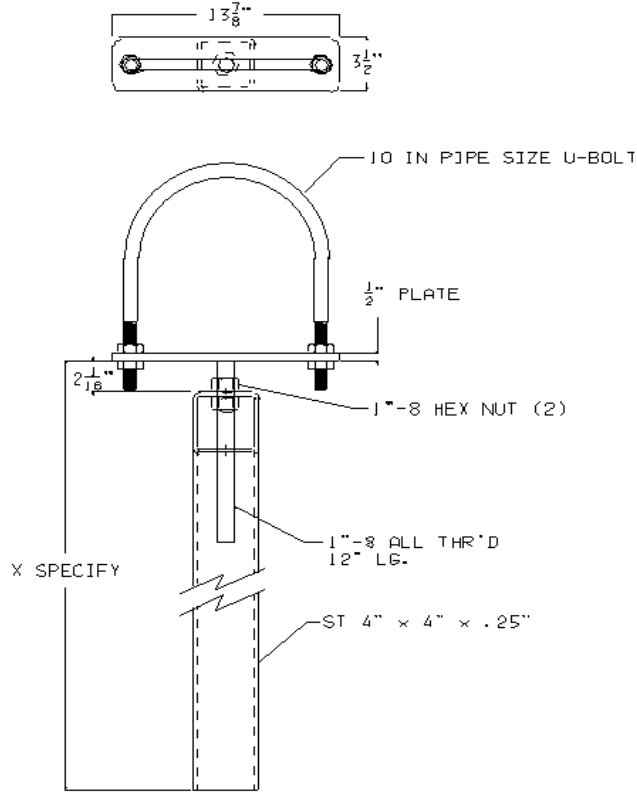
COMPLETE BASE PLATE SKETCH BELOW:

ROUND BASE

RECTANGLE BASE



FABERFAB 10" HEAVY DUTY ADJUSTABLE HEIGHT FLAT BASE U-BOLT TYPE PIPE SUPPORT



SPECIFY QUANTITY: _____ SPECIFY X DIMENSION: _____ INCHES

MATERIAL
 A36 C.S.
 OTHER SPECIFY _____

FINISH
 1 - NO PAINT
 2 - PRIME AND PAINT SPECIFY COLOR _____
 3 - OTHER SPECIFY _____

U-BOLT MATERIAL OPTIONS
 1 - ZINC PLATED CARBON STEEL
 2 - STAINLESS STEEL
 3 - RUBBER COATED GALVANIZED
 4 - OTHER SPECIFY _____

BASE OPTIONS
 1 - NONE
 2 - 3/8" THICK BASE PLATE WITH MOUNTING HOLES
 2 - 1/2" THICK BASE PLATE WITH MOUNTING HOLES

BASE DETAILS IF BASE OPTION SELECTED

_____ QUANTITY OF HOLES IN BASE PLATE
 _____ DIAMETER OF HOLES IN BASE PLATE

COMPLETE BASE PLATE SKETCH BELOW:

ROUND BASE

RECTANGLE BASE

